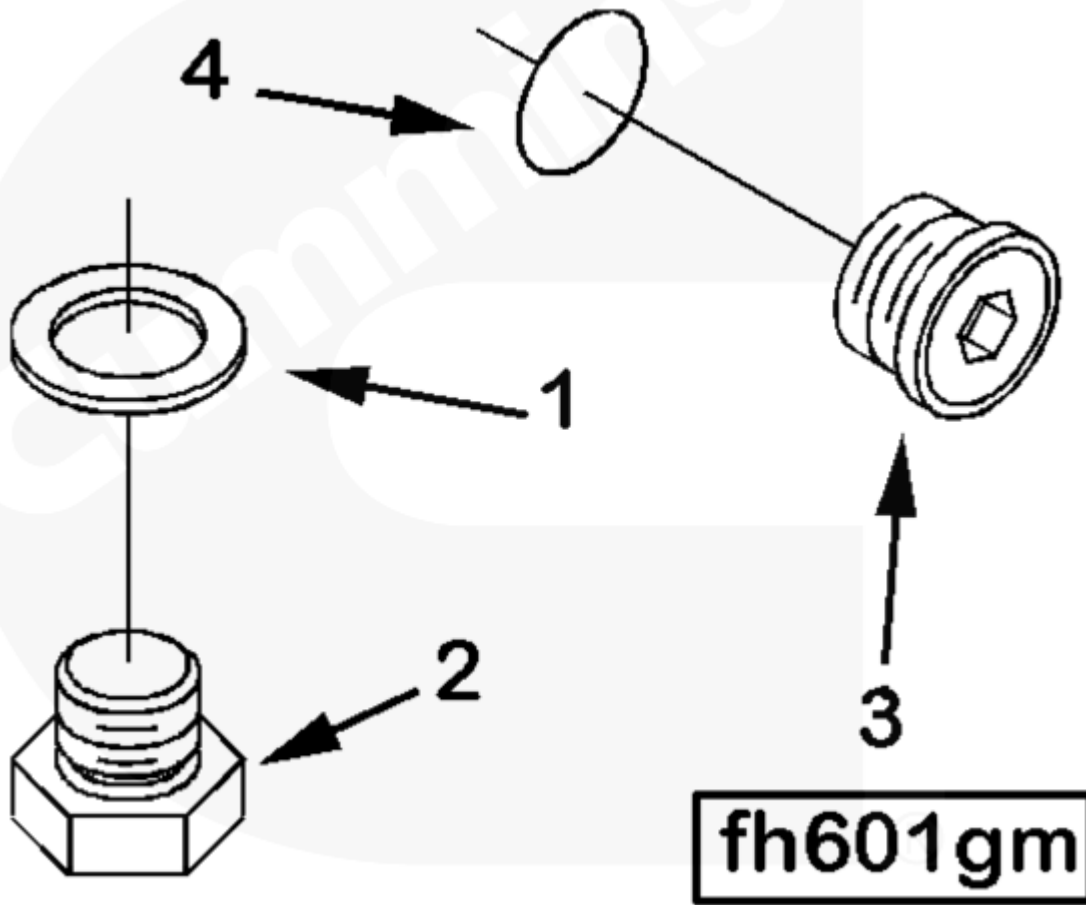




Parts Catalog - Option Detail

Electronic Parts Catalog - Option Detail				
Option	Group	Graphic	Film Card	Date
FH8711	16.01.1	fh601gm	K38	13-FEB-96
Engines	GTA38, K38, KTA38GC CM558, QSK38 CM2150 K106, QSK38 CM2150 MCRS, QSK38 CM850 MCRS			

©Cummins Inc



[SMALL](#) | [MEDIUM](#) | [LARGE](#)

Cart	Ref No	Part Number	Part Description	Required	Remarks
View My Cart					
		FH8711	Magnetic Pickup		5/8-18 UNF and 3/4-16 UNF...(More)
					plugs for the magnetic pick-
					up locations in the flywheel
					housing. For use with both

					wet or dry flywheel housings.
					Required when Woodward 2301
					electro- hydraulic governor,
					American Bosch governor,
					Cummins EFC governor,
					tachometer, or speed switch
					is not specified.
<input type="checkbox"/>	1	8265	Plain Washer	1	5/8 in.
<input type="checkbox"/>	2	163086	Threaded Plug	1	
<input type="checkbox"/>		3046202	Threaded Plug	1	3/4 - 16 UNF.
	3	3040810	Threaded Plug	1	
<input type="checkbox"/>	4	3046201	O-Ring Seal	1	

© 2019 Cummins Inc., Box 3005, Columbus, IN 47202-3005 U.S.A.
Terms of Use and Disclaimers | Recommended System Requirements
Need Assistance? Please click on the Contact Us button in the top right corner of any page.